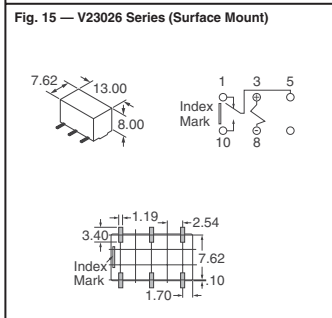
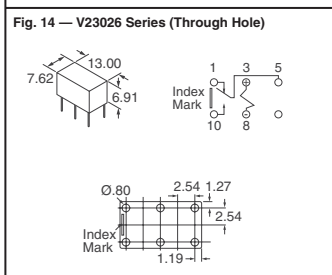
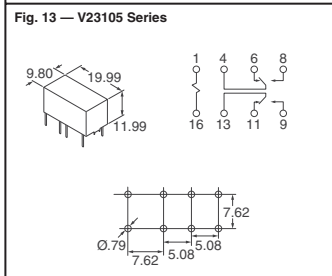
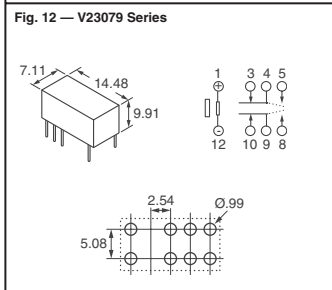
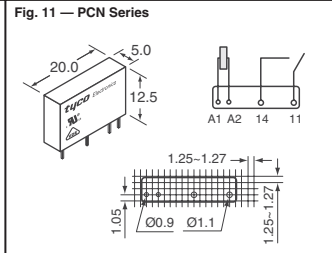


Fig.	Contact Arrangement	Coil Voltage	Coil Current (mA)	Contact Rating (A)	Features	Brand Name	Digi-Key Part No.	Price Each	Mfg. Part No.
								1 25 50	
7	SPST-NO	5 VDC	40.0	3	Sealed Type	Potter & Brumfield	PB370-ND	1.70 1.50 1.35	T77S1D3-05
		12 VDC	16.7	3	Sealed Type	Potter & Brumfield	PB371-ND	1.70 1.50 1.35	T77S1D3-12
		24 VDC	8.3	3	Sealed Type	Potter & Brumfield	PB372-ND	1.70 1.50 1.35	T77S1D3-24
T81 Series — High Density Telcom Relay									
8	SPDT	5 VDC	89.5	0.5	High Sensitivity	Potter & Brumfield	PB446-ND	3.26 2.86 2.59	T81H5D312-05
		12 VDC	17.1	0.5	High Sensitivity	Potter & Brumfield	PB740-ND◆	3.79 3.32 3.01	T81H5D312-12
		24 VDC	8.6	0.5	High Sensitivity	Potter & Brumfield	PB741-ND◆	3.26 2.86 2.59	T81H5D312-24
		12 VDC	37.5	0.5	Standard Sensitivity	Potter & Brumfield	PB447-ND◆	4.01 3.51 3.18	T81N5D312-12
		24 VDC	18.75	0.5	Standard Sensitivity	Potter & Brumfield	PB448-ND	3.17 2.78 2.51	T81N5D312-24
OMI/OMH Series — RoHS Compliant									
9	SPDT	12 VDC	60.0	10	Sealed Type	OEG	PB878-ND	1.49 1.31 1.18	OMI-SH-112D,394
		12 VDC	44.4	10	Sealed Type	OEG	PB879-ND	1.75 1.54 1.39	OMI-SH-112L,394
		24 VDC	29.3	10	Sealed Type	OEG	PB880-ND	1.75 1.54 1.39	OMI-SH-124D,300
		24 VDC	21.8	10	Sealed Type	OEG	PB881-ND	1.78 1.56 1.41	OMI-SH-124L,394
	DPDT	12 VDC	60.0	5	Sealed Type	OEG	PB882-ND	2.59 2.27 2.06	OMI-SH-212D,594
		24 VDC	21.8	5	Sealed Type	OEG	PB883-ND	2.28 2.00 1.81	OMI-SH-224L,594
	SPDT	5VDC	106.4	16	High Current	OEG	PB1038-ND	2.14 1.87 1.70	OMIH-SH-105L,394
		12 VDC	44.4	16	High Current	OEG	PB885-ND	2.14 1.87 1.70	OMIH-SH-112L,394
OMR Series — RoHS Compliant									
10	SPST-NO	6 VDC	24.0	0.5	Open Style	OEG	PB886-ND	1.20 1.05 .95	OMR-106H,V000
		12 VDC	11.4	0.5	Open Style	OEG	PB887-ND	2.33 2.04 1.85	OMR-112H,V000
PCN Series — RoHS Compliant									
11	SPST-NO	24 VDC	5.0	3	Slim Sip	OEG	PB906-ND	1.78 1.56 1.41	PCN-124D3MHZ,000
V23079 Series — FCC Part 68, High Dielectric Relay									
12	DPDT	5 VDC	28.0	5	—	Axicom	PB288-ND	2.21 1.94 1.75	V23079A1001B301
		12 VDC	11.6	5	—	Axicom	PB289-ND	2.21 1.94 1.75	V23079A1003B301
		24 VDC	5.8	2	—	Axicom	PB290-ND	2.40 2.10 1.90	V23079A1005B301
V23105 Series — Nonpolarized Dip Package Relay									
13	DPDT	5 VDC	30.0	0.3	High Sensitivity	Axicom	PB383-ND◆	1.82 1.60 1.45	V23105A5001A201
		12 VDC	12.5	0.3	High Sensitivity	Axicom	PB384-ND◆	1.82 1.60 1.45	V23105A5003A201
		24 VDC	6.25	0.3	High Sensitivity	Axicom	PB385-ND◆	1.97 1.73 1.56	V23105A5005A201
		5 VDC	40.0	0.3	Medium Sensitivity	Axicom	PB386-ND	1.82 1.60 1.45	V23105A5301A201
		12 VDC	16.7	0.3	Medium Sensitivity	Axicom	PB387-ND	1.82 1.60 1.45	V23105A5303A201
		24 VDC	8.33	0.3	Medium Sensitivity	Axicom	PB388-ND	1.97 1.73 1.56	V23105A5305A201
		48 VDC	4.16	0.3	Medium Sensitivity	Axicom	PB389-ND	2.74 2.40 2.17	V23105A5307A201
		V23026 Series — Miniature Sealed Relay (Up to 1 Billion Operations!)							
14	SPDT	5 VDC	13.5	1	Thru-Hole Terminal	Axicom	PB282-ND◆	4.20 3.68 3.33	V23026A1001B201
		12 VDC	5.3	1	Thru-Hole Terminal	Axicom	PB283-ND	4.20 3.68 3.33	V23026A1002B201
		24 VDC	5.3	1	Thru-Hole Terminal	Axicom	PB284-ND	4.51 3.95 3.58	V23026A1004B201
15	SPDT	5 VDC	16.0	1	SMT Terminal	Axicom	PB285CT-ND◆ PB285TR-ND◆	4.61 4.04 3.65 1152.00/480	V23026D1021B201
		5 VDC	16.0	1	SMT Terminal	Axicom	PB286CT-ND◆ PB286TR-ND◆	4.61 4.04 3.65 1152.00/480	V23026D1022B201
		12 VDC	6.6	1	SMT Terminal	Axicom	PB287CT-ND◆ PB287TR-ND◆	4.97 4.35 3.94 5961.60/2,400	V23026D1024B201
		12 VDC	6.6	1	SMT Terminal	Axicom	PB288CT-ND◆ PB288TR-ND◆	4.97 4.35 3.94 5961.60/2,400	V23026D1024B201
		24 VDC	5.3	1	SMT Terminal	Axicom	PB289CT-ND◆ PB289TR-ND◆	4.97 4.35 3.94 5961.60/2,400	V23026D1024B201

◆ Flux-Tight Version ◆ RoHS Compliant



More Product Available Online: www.digikey.com

Toll-Free: 1-800-344-4539 • Phone 218-681-6674 • Fax: 218-681-3380