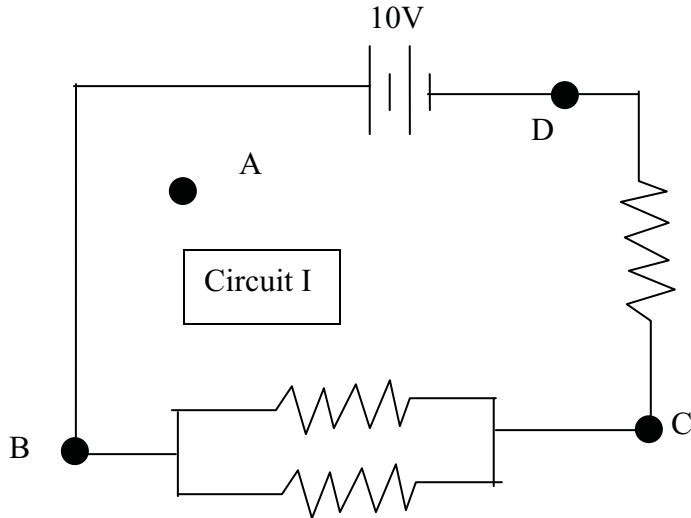


NAME _____

DATE _____

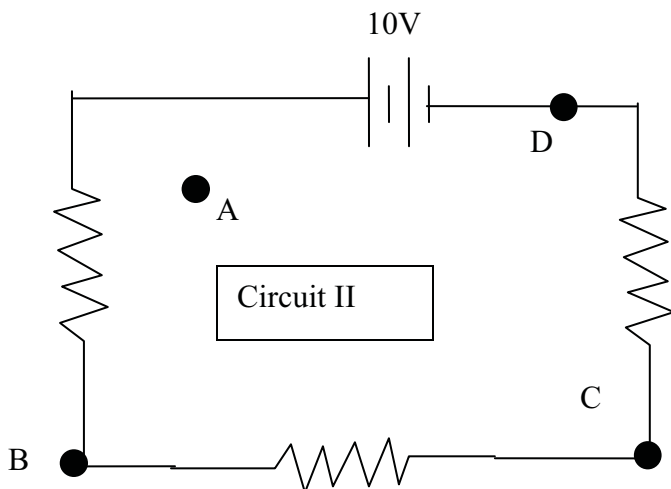
Physics 251 Pre-Laboratory 10

Shown below are two circuit diagrams with several points identified.



The resistors that were available to build these circuits were one of each of the following: 10 k Ω , 15 k Ω , 22 k Ω , and 33 k Ω . Each resistor has an uncertainty in its value of 10%. Two potential difference measurements were made they were $V_{BC} = 3.19\text{V}$ and $V_{CD} = 4.68\text{V}$. The current from the battery was 0.213 mA.

Determine which of the two circuits corresponds to the given measurements. Explain



Determine the components and their arrangement in the circuit.

What is the potential difference V_{AD} for each circuit (and yes A is in the correct location).